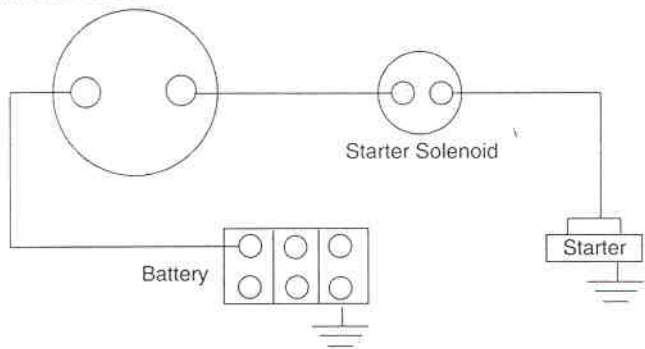


Wiring Information - S.P.S.T. Master Disconnect Switch

Disconnects battery circuit only. Does not disconnect alternator or generator field circuit.

When used on alternator equipped vehicles, the engine should be stopped before switching to the OFF position to prevent possible alternator diode failure.

S.P.S.T. Master Disconnect Switch



Cole Hersee Co.

20 Old Colony Avenue, Boston, MA 02127-2467
Tel: (617) 268-2100 • FAX: (617) 268-9490