

Cole Facts

IMPORTANT
PRODUCT
INFORMATION



Lever actuated
master disconnect
switch.

Master Disconnect Switches

Cole Hersee has been designing and building heavy duty master disconnect switches for over forty years. They are installed as original equipment by leading manufacturers of heavy duty vehicles.

Master disconnect switches shut down a vehicle's electrical system by cutting off current from the battery. They are designed to help prevent tampering, theft, battery drain and electrical fires.



Hencol key actuated
master disconnect
switch.

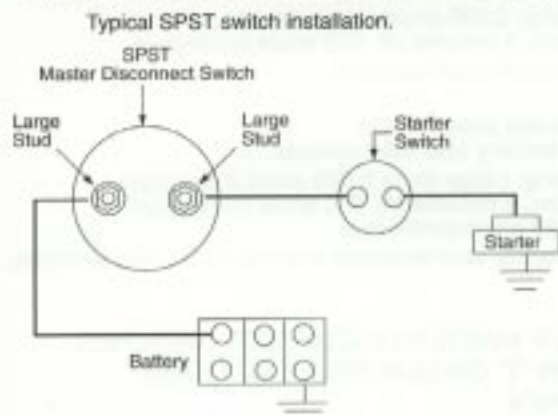
Used on many different vehicles, they are required on gasoline and oil tank trucks and racing cars.

Vehicles and equipment using master disconnect switches.

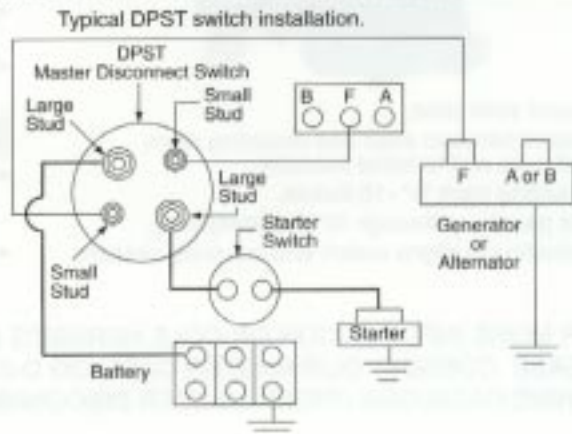
- Highway Trucks and Buses
- Fire Apparatus
- Boats and Marine Equipment
- Airport Maintenance Vehicles
- RVs and Motor Homes
- Off-highway Trucks
- Emergency Vehicles
- Racing Cars
- Farm Machinery
- Industrial Equipment
- Excavators
- Dozers
- Backhoes
- Tractors
- Reclaimer/Stabilizers
- Loaders
- Compactors
- Pavers

Cole Hersee master disconnect switches are available with brass and plated steel cases and are actuated by lever or patented Hencol key. Contacts are silver or copper. Some models feature an "O" ring in the operating shaft for additional moisture and dirt protection.

Single pole: disconnects battery circuit only.



Double pole: disconnects battery circuit and field circuit.



Cole Hersee Company

20 Old Colony Avenue • South Boston, MA 02127-2467
(617) 268-2100 • FAX (617) 268-9490

CF-100

Cole Hersee Master Disconnect Switches

Rating Information

Electrical Ratings Single Pole Switches

175 amps continuous • 1,000 amps intermittent
15 seconds On, 5 minutes Off

Electrical Ratings Double Pole Switches

Large studs 125 amps continuous • 1,000 amps intermittent
Small studs 20 amps continuous
15 seconds On, 5 minutes Off

Electrical Ratings Single Pole Switches • UL 707B

175 amps continuous • 800 amps intermittent
15 seconds On, 5 minutes Off

Electrical Rating Double Pole Switch • UL 707B

Large studs 125 amps continuous • 800 amps intermittent
Small studs 20 amps continuous
15 seconds On, 5 minutes Off



Electrical ratings on UL labels are conservative.

Cole Hersee master disconnect switches capable of handling higher amperages.

For 6-36 volt, D.C. electrical systems.


SPST Master Disconnect Switches Disconnect the battery circuit only.

Plated steel case

Part No.	Contacts	Actuation
2484-09	Copper	Lever
2484 UL listed 	Copper	Lever
2484-A	Silver	Lever
2484-16 UL listed 	Silver	Lever
2484-06*	Silver	Lever
2484-02	Silver	Hencol Key
2484-03*	Silver	Hencol Key
2484-19*	Silver	Hencol Key

**O* ring seal in operating shaft.

Brass Case

Part No.	Contacts	Actuation
M-284	Copper	Lever
M-284-A	Silver	Lever
M-284-01 UL listed 	Silver	Lever
M-284-02*	Silver	Lever

**O* ring seal in operating shaft.

DPST Master Disconnect Switches


Disconnect battery circuit and field circuit.

Plated steel case

Part No.	Contacts	Actuation
75903	Copper	Lever
75904	Silver	Lever
75904-01*	Silver	Lever
75904-02	Silver	Hencol Key
75904-03*	Silver	Hencol Key

**O* ring seal in operating shaft.

Brass Case

Part No.	Contacts	Actuation
M-289	Copper	Lever
M-290	Silver	Lever
M-290-05 UL listed 	Silver	Lever
M-290-01*	Silver	Lever

**O* ring seal in operating shaft.

2,000 amp Master Disconnect Switches



- Plated steel case.
- Sealed between shaft and mounting stem, and case and terminal insulator.
- Mounting stem 3/4" -16 thread.
- Fits panels up through 1/4" (6.35mm) thick.
- Indexing pin aligns switch and prevents rotation.

No. 75908 Single pole, Off-On Disconnects battery circuit only.

- Electrical rating: 2,000 amps intermittent, 30 seconds on, 3 minutes off. 300 amps continuous.
- Two 1/2"-20 copper stud terminals.

No. 75907 Double pole, Off-On Disconnects battery and field circuits.

- Electrical rating: Large studs 2,000 amps intermittent, 30 seconds on, 3 minutes off. 300 amps continuous. Small studs 20 amps continuous
- Two 1/2"-20 copper stud terminals and two 10-32 stud terminals.

FOR MORE INFORMATION ON COLE HERSEE'S FULL LINE OF MASTER DISCONNECT SWITCHES, PLEASE CONSULT OUR MASTER CATALOG D-272, SECTION "T" OR OUR HEAVY DUTY AND MARINE CATALOGS UNDER MASTER DISCONNECT SWITCHES.

 Cole Hersee Co.

20 Old Colony Avenue, Boston MA 02127-2467 • Telephone (617) 268-2100 • Fax: (617) 268-9490
<http://www.colehersee.com>