

HOT FEED

Important Product Information

New 2,000 amp Master Disconnect Switches

Designed for battery operations with higher amp draw.

Applications include high horsepower engines, buses with two engines, refuse vehicles, fire trucks, over highway and construction equipment.

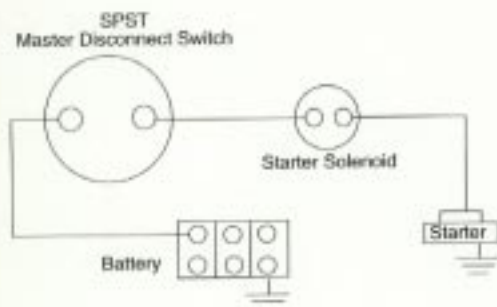
**Single Pole • Off-On
Disconnects battery circuit only.**

Electrical Ratings
2,000 amps intermittent
30 seconds On, 3 minutes Off
300 amps continuous



No. 75908

- Plated steel case.
- Sealed between shaft and mounting stem, and case and terminal insulator.
- Mounting stem 3/4" -16 thread.
- Two 1/2"-20 copper stud terminals.
- Fits panels up through 1/4" (6.35mm) thick.



Typical schematic

Printed in U.S.A.

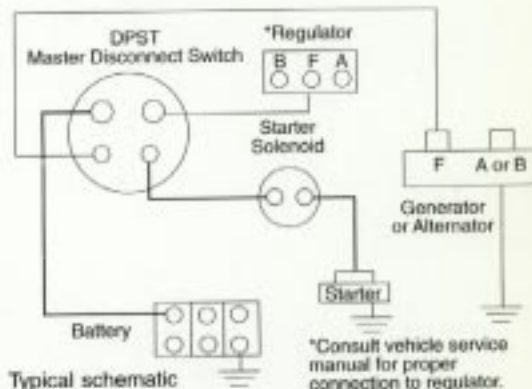
**Double Pole • Off-On
Disconnects battery and field circuits.**

Electrical Ratings
Large studs 2,000 amps intermittent
30 seconds On, 3 minutes Off
300 amps continuous
Small studs 20 amps continuous



No. 75907

- Plated steel case.
- Sealed between shaft and mounting stem, and case and terminal insulator.
- Mounting stem 3/4" -16 thread.
- Two 1/2"-20 copper stud terminals and two 10-32 stud terminals.
- Fits panels up through 1/4" (6.35mm) thick.



Typical schematic

*Consult vehicle service manual for proper connection to regulator.

Form No. D-565

CH Cole Hersee Co.

20 Old Colony Avenue, South Boston, MA 02127 • Telephone (617) 268-2100 • Fax (617) 268-9490
Copyright © Cole Hersee Company.